



F A R N A M
CUSTOM PRODUCTS

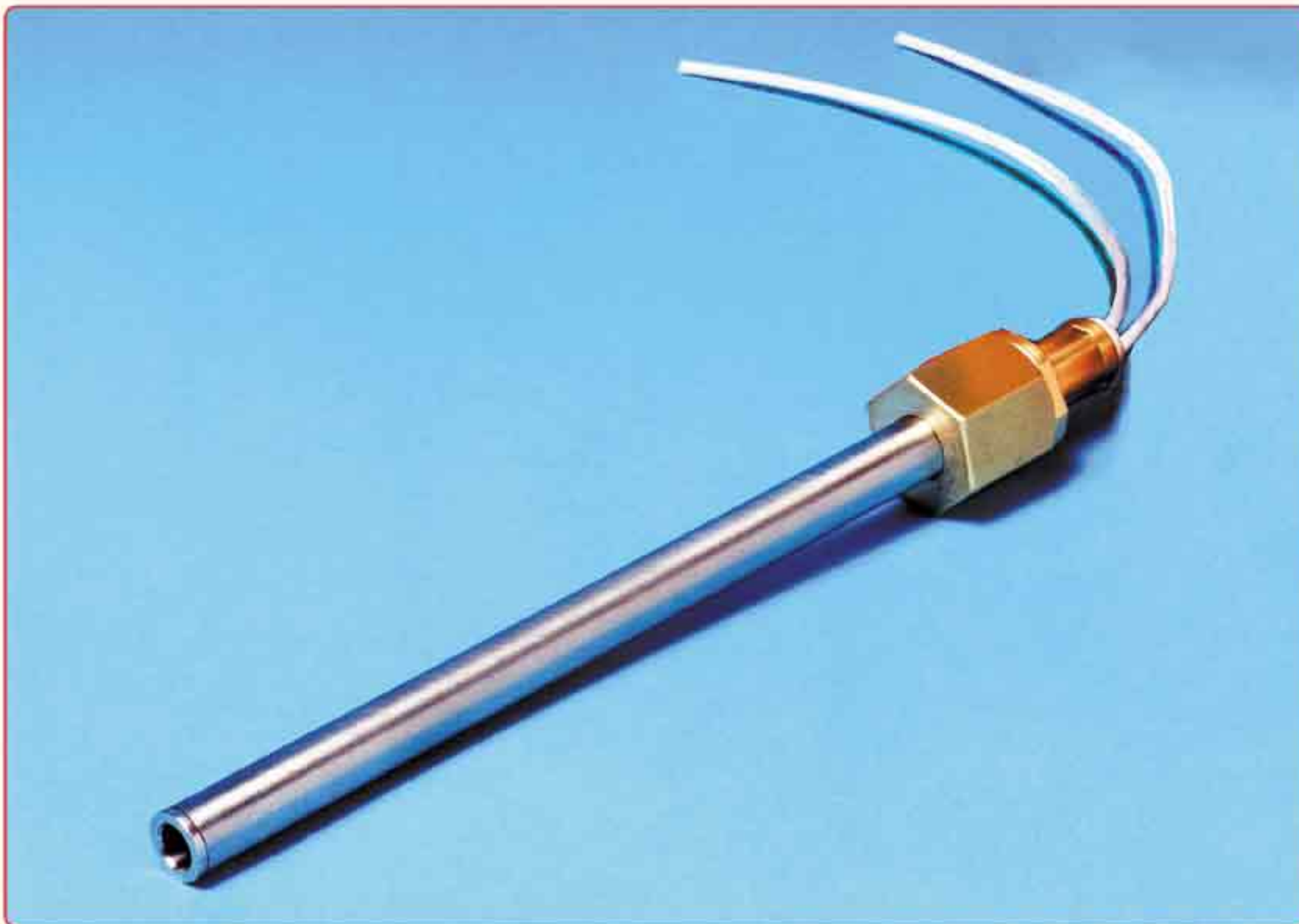
030 Heat Torch

a higher degree of performance

Tel: 828.684.3766

Fax: 828.684.3768

030 Heat Torch™



The 030 Heat Torch is our smallest standard Heat Torch. This 8.6 mm (.340") diameter air heater is ideal for concentrating hot air streams into small areas. It is a highly efficient heat tool with relatively negligible heat losses. The small size and focused air stream support great precision.

This heater operates best with air flow in the range of .3 scfm to .6 scfm. Power options are available up to 300 watts in either 120v or 240v supply. Maximum recommended exhaust temperature for our smallest Heat Torch is 700° C (1292° F).

There are many applications for this precise heat tool such as: melting, cutting, adhesive activation, de-soldering, heat staking, and sterilization.

The 030 Heat Torch technical specifications are available overleaf and via the internet at: www.farnam-custom.com. Contact us to discuss your particular needs.

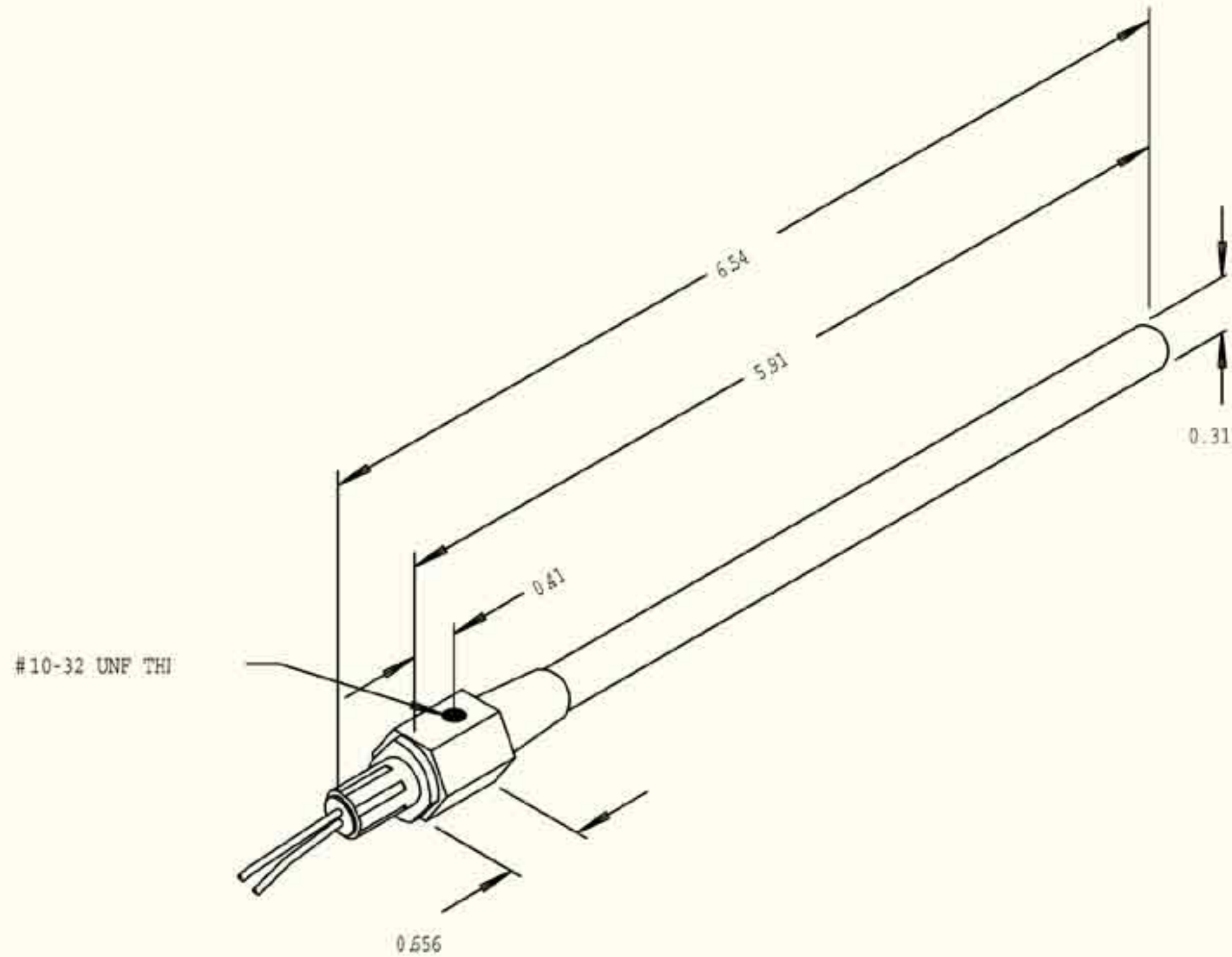


Wattage:
50-300 Watts

Voltage:
120
240

Inlet Fitting
(#10-32 unf

Exhaust Fitting
NF - no fitting



Specifications

Max. wattage: 300
 Max. exhaust air temp: 1300°F
 Max. inlet air temp: 250°F
 Min. SCFM: 3
 Max. SCFM: 6
 Pressure rating: 120 PSIG
 Vertical or horizontal mounting
 Leads: 20 gauge, 12" long

Construction

Heater body: stainless steel
 Inlet fitting: nickel plated steel
 Exhaust fitting: stainless steel

Calculate the wattage, flow rate or temperature requirement as follows:

Watts = SCFM x ΔT/3

SCFM = airflow in standard cubic feet per minute

ΔT = temperature rise in degrees F from the inlet to the exhaust

PRODUCT FEATURES/ORDERING INFORMATION

HT030	300	120	10/32	NF
Series	Wattage	Voltage	Inlet Fitting	Exhaust Fitting

