



**F A R N A M**  
**CUSTOM PRODUCTS**

Heat Torches

a higher degree of performance

Tel: 828.684.3766

Fax: 828.684.3768

## 050 Heat Torch™



The half-inch diameter 050 Heat Torch is a compact and highly reliable process air heater for applications which require a modest amount of focused air. In service applications include staking, curing, drying, heat-shrinking, sterilization, and adhesive activation.

The 050 Heat Torch Inline Air Heater is available in power ratings from 100 watts to 500 watts with standard increments of 50 watts. Allowable air flow is from 1 to 10 SCFM. Maximum air input temperature is 250° F. Maximum air output temperature is 1300° F. Standard configurations include a choice of air inlet and exhaust fittings.

The 050 Heat Torch technical specifications are available overleaf and via the internet at: [www.farnam-custom.com](http://www.farnam-custom.com). Contact us to discuss your particular needs.





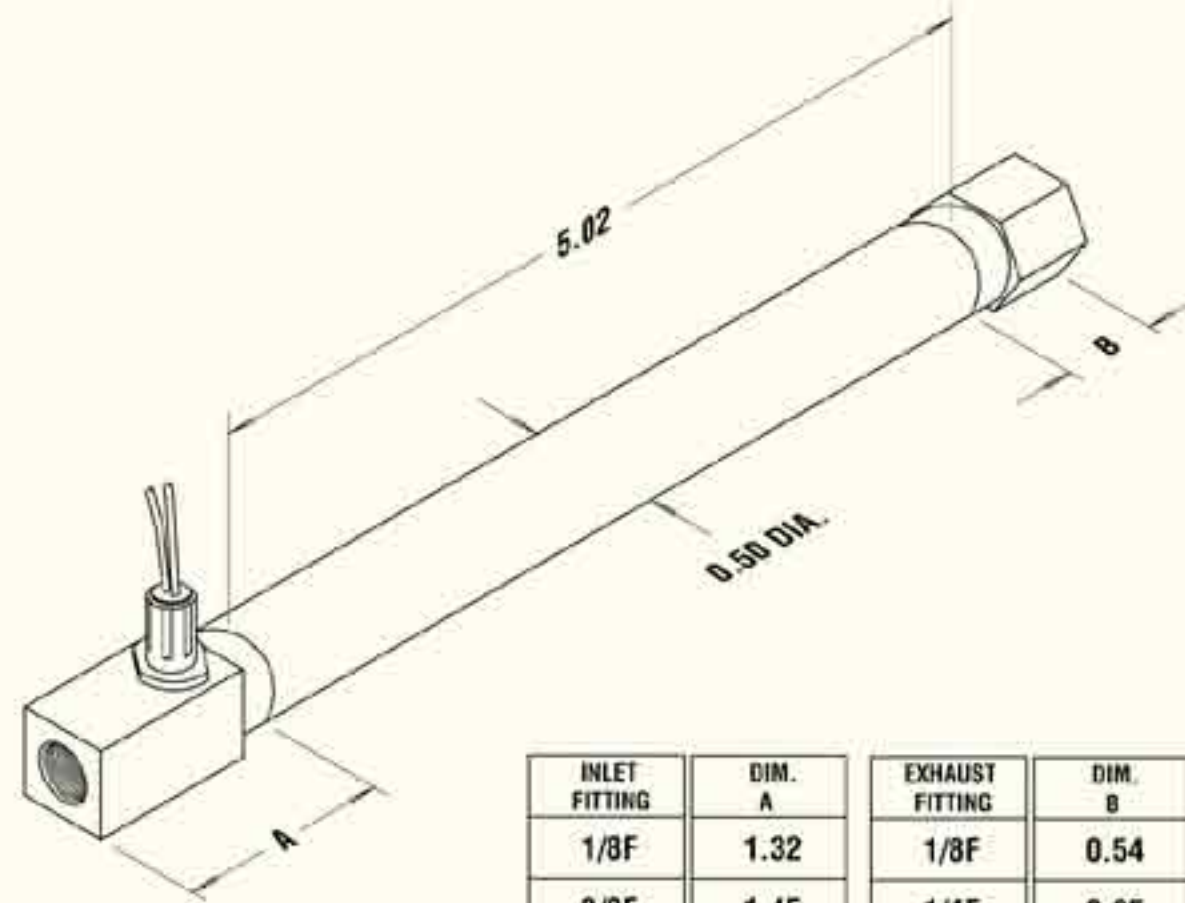
**Wattage:**  
100-500

**Voltage:**  
120V  
240V

**Inlet Fitting:**  
1/8F - 1/8" NPT female  
3/8F - 3/8" NPT female  
CB-Counterbore 1/2" dia.

**Exhaust Fitting:**  
1/8F - 1/8" NPT female  
1/4F - 1/4" NPT female  
NF - no fitting

**Options:**  
Thermocouple fitting  
Thermocouple  
Flexible Conduit



| INLET FITTING | DIM. A | EXHAUST FITTING | DIM. B |
|---------------|--------|-----------------|--------|
| 1/8F          | 1.32   | 1/8F            | 0.54   |
| 3/8F          | 1.45   | 1/4F            | 0.85   |
| CB            | 1.32   | NF              | 0.04   |

**Specifications**

Max. wattage: 500  
Max. exhaust air temp: 1300°F  
Max. inlet air temp: 250°F  
Max. SCFM: 10  
Pressure rating: 120 PSIG  
Horizontal mounting  
Leads: 20 gauge, 12" long

**Construction**

Heater body: stainless steel  
Inlet fitting: nickel plated steel  
Exhaust fitting: stainless steel

Calculate the wattage, flow rate or temperature requirement as follows:

$Watts = SCFM \times \Delta T / 3$

SCFM = airflow in standard cubic feet per minute

$\Delta T$  = temperature rise in degrees F from the inlet to the exhaust

| Wattage | Minimum SCFM required |
|---------|-----------------------|
| 100     | 1.0                   |
| 200     | 1.0                   |
| 300     | 1.0                   |
| 400     | 1.0                   |
| 500     | 1.0                   |

| Airflow (SCFM) | Pressure Drop (PSIG) |
|----------------|----------------------|
| 1              | .53                  |
| 2              | 2.1                  |
| 3              | 4.7                  |
| 4              | 8.4                  |
| 5              | 13.2                 |
| 6              | 19.0                 |
| 7              | 25.8                 |
| 8              | 33.7                 |
| 9              | 42.7                 |
| 10             | 52.7                 |

**PRODUCT FEATURES / ORDERING INFORMATION**

